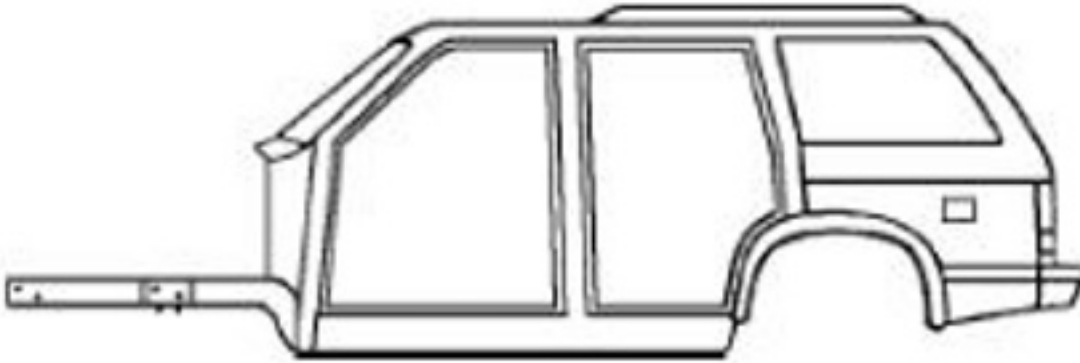
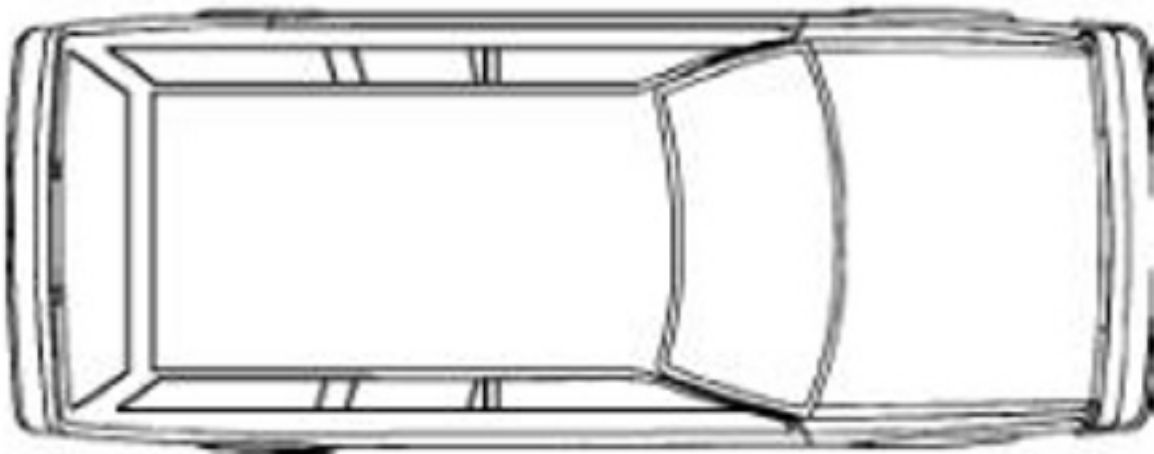


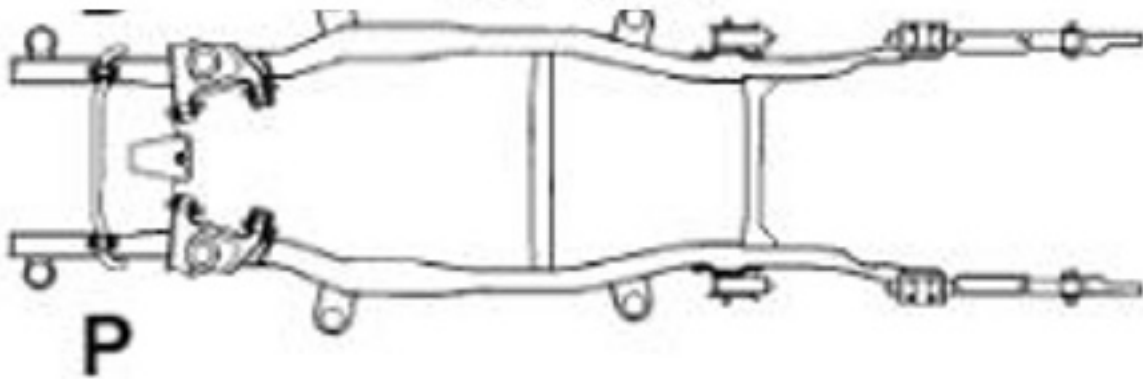
PASSENGER SIDE



DRIVER SIDE



TOP VIEW



BOTTOM VIEW

Utility Vehicle

To: _____ From: _____ Date: _____ RO# _____